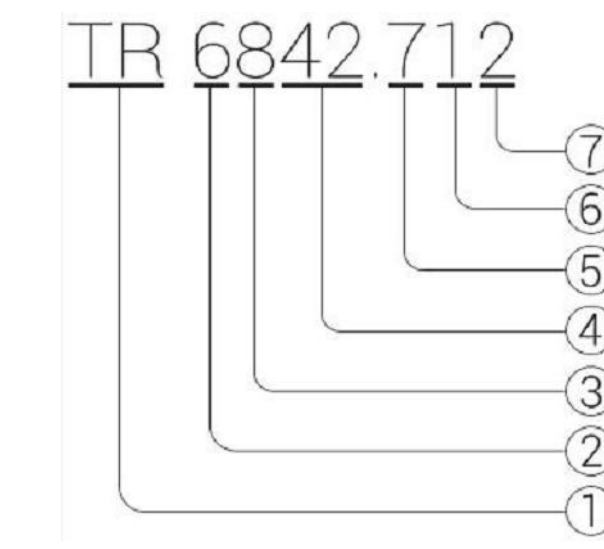
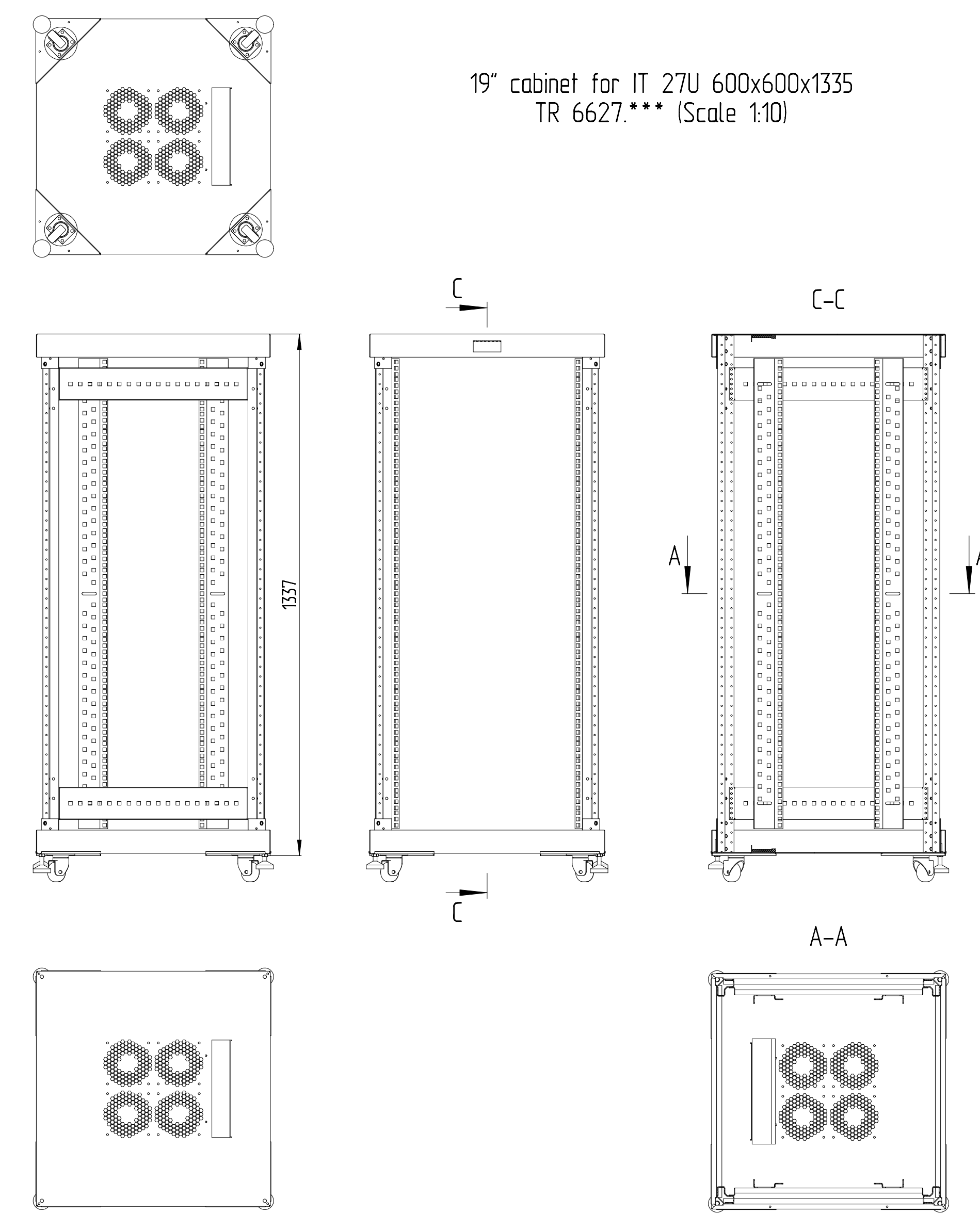
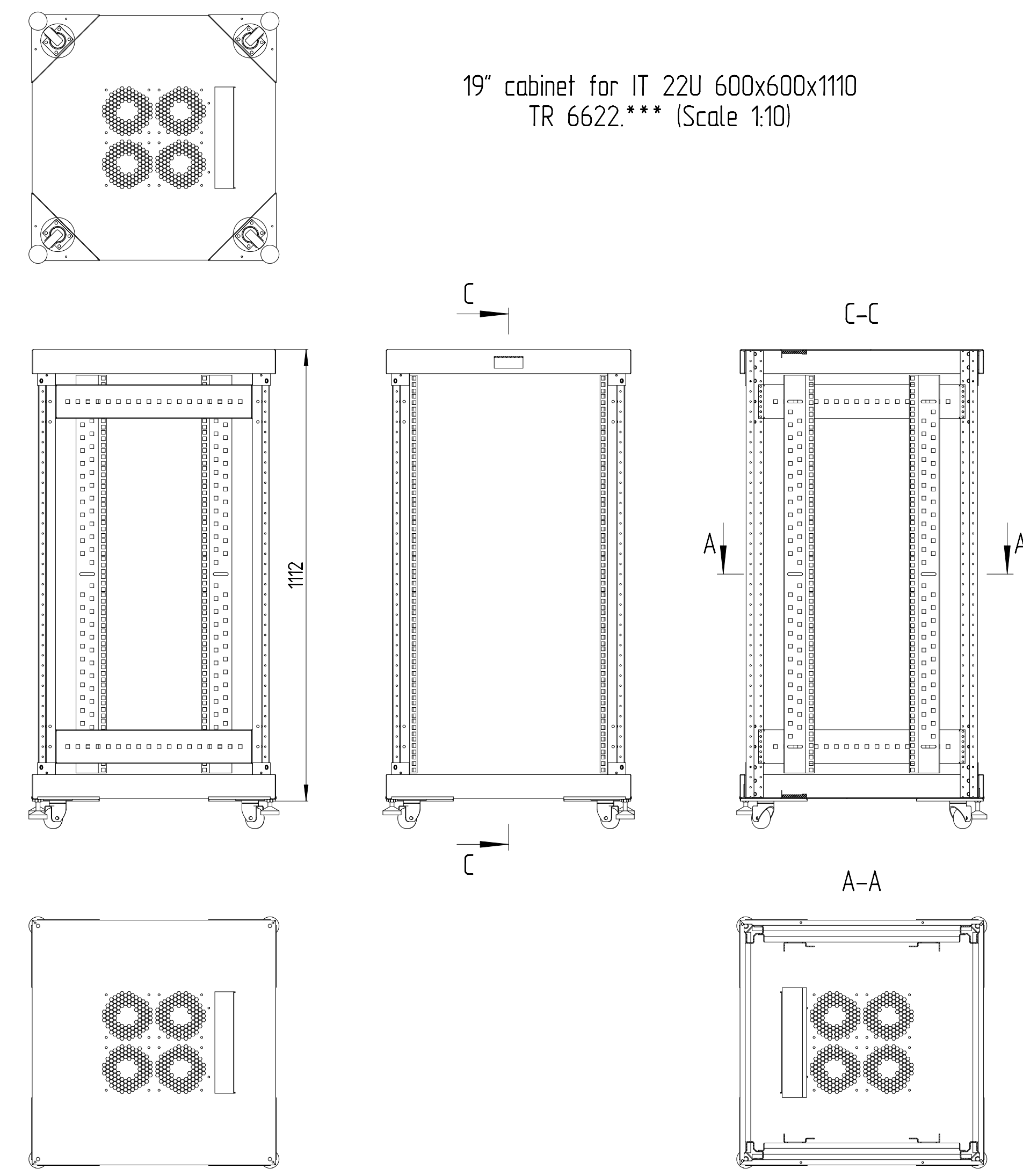
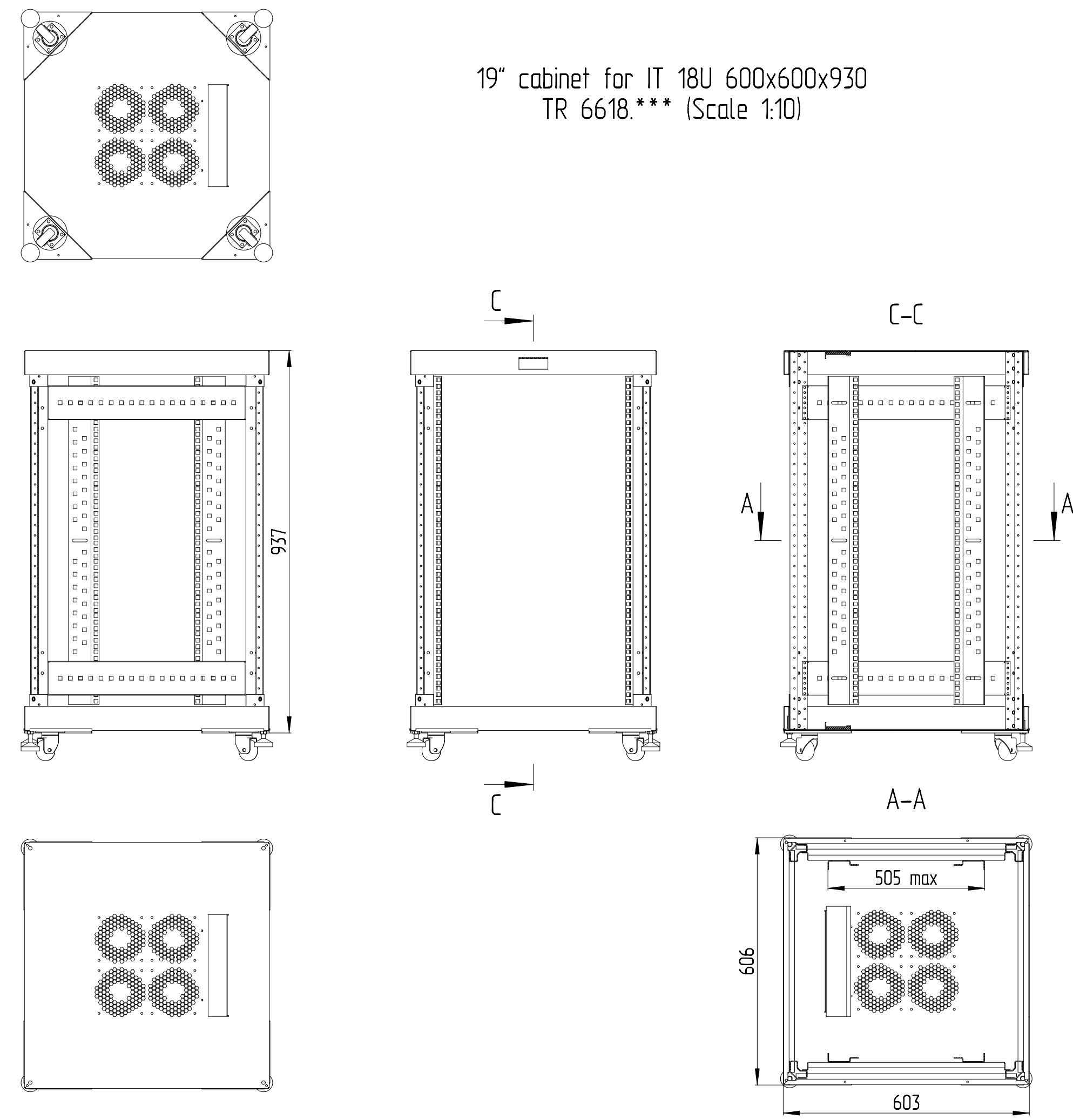


19" cabinet for IT TR 66\*\*\*



- How to define model:
- 1 - "TR" model;
  - 2 - "6" width
  - 3 - "8" depth
  - 4 - "42" unit height (1U = 44,44mm)
  - 5 - "7" color gray RAL 7035
  - 6 - "9" black RAL9004
  - 7 - "1" front door: glass in metal-frame
  - 0 - without door
  - 1 - glass in metal-frame
  - 2 - metal
  - 3 - perforated metal
  - 0 - without door
  - 1 - glass in metal-frame
  - 2 - metal
  - 3 - perforated metal

