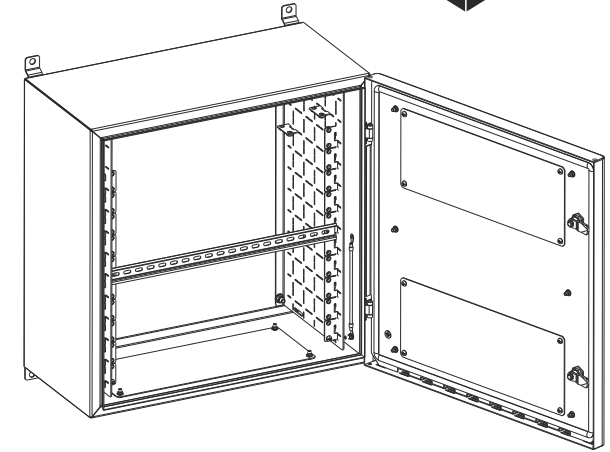


# Паспорт



	(U)	19" ( )	( )		( )	(U)	
- 6.6.3-4	6	220	400	600	330	27	12
- 9.6.3-4	9		500			32	18
- 12.6.3-4	12		600			37	22
- 15.6.3-4	15		760			44	30
- 18.6.3-4	18		900			50	36
- 6.6.5-4	6	420	400	600	530	35	12
- 9.6.5-4	9		500			40	18
- 12.6.5-4	12		600			45	22
- 15.6.5-4	15		760			55	30
- 18.6.5-4	18		900			62	36

305503.400



ISO 9001

	300	500
<b>6U</b>	- 6.6.3-4	- 6.6.5-4
<b>9U</b>	- 9.6.3-4	- 9.6.5-4
<b>12U</b>	- 12.6.3-4	- 12.6.5-4
<b>15U</b>	- 15.6.3-4	- 15.6.5-4
<b>18U</b>	- 18.6.3-4	- 18.6.5-4

BY 800008148.008-2010

1.  
1.1  
IP65 ( IP54).  
1.2 -50° +60° 1 15150-69  
2.  
2.1 -400-2 -400-2-3, -  
DIN- / 19" /  
2.2 4- ( ),  
( ). -400-600  
3.  
3.1  
3.2 12  
3.3 6  
4.  
4.1  
4.2 4 15150.  
4.3 2 15150-69.  
4.4  
6.  
223051, 67,  
: +375 (17) 500-00-00, e-mail: info@cmo.ru, : www.cmo.ru

:

-



-1 .  
 -1 .  
 -4 .  
 8 16 -4 .  
 - 12/18/22/30/36 ( . . . )

DIN- -1 .



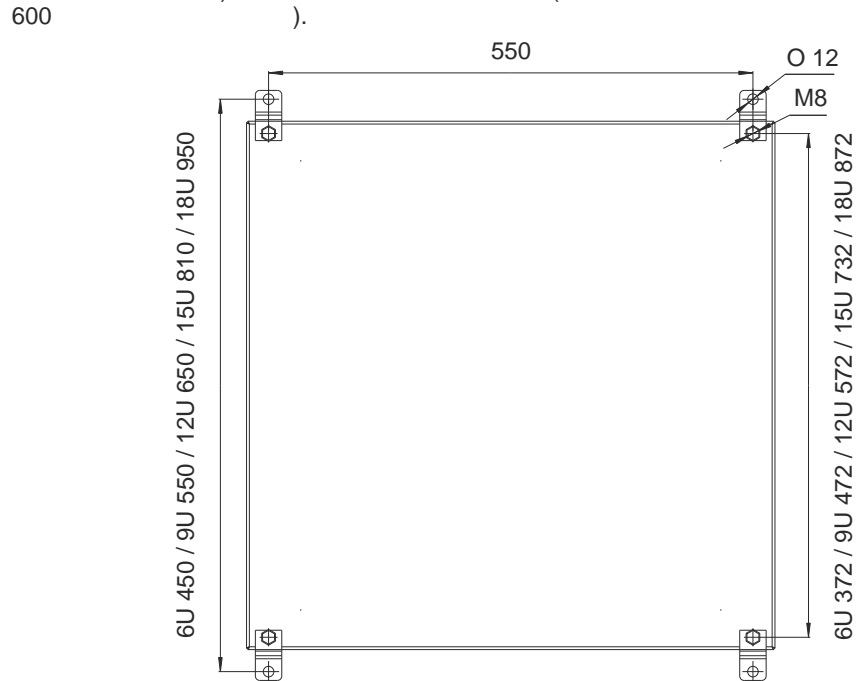
DIN-  
 150W/250W/400W /

3  
 -400-2/ -400-2 / -400-2-3/ -400-2-3 .

:

DIN-

( - , -400-2, ):



-400-

